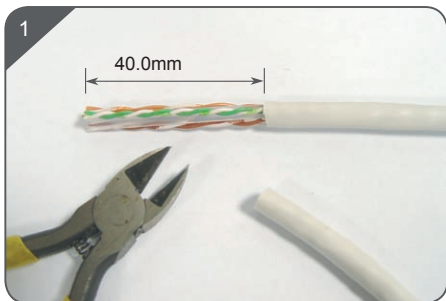
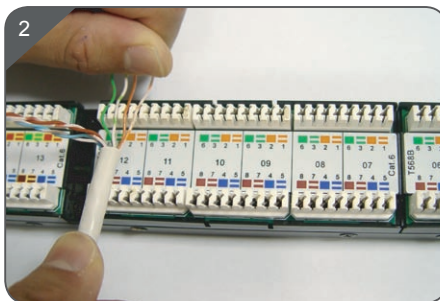


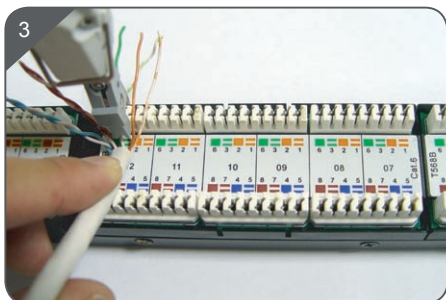
180° Cat.6 UTP Patch Panel (Krone IDC)



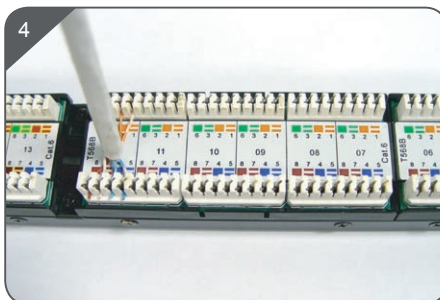
■ Strip cable jacket approx. 40mm.



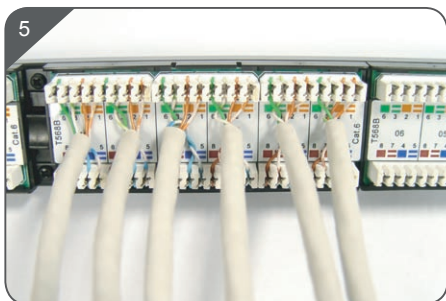
■ Arrange the wires according to the color code.



■ Use LSA tool to terminate & cut the conductors.



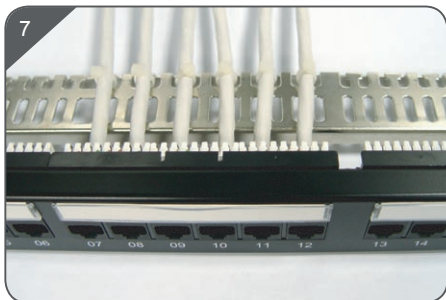
■ One X-4-pair termination.



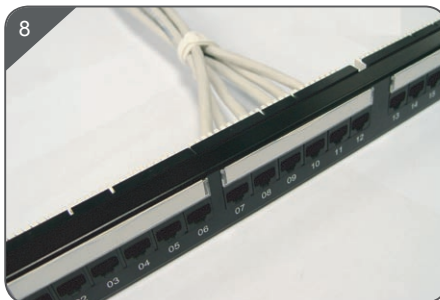
■ Six X-4-pair termination.



■ Use one velcro retaining strap to fix the six cables horizontally.



■ (Option)
Use cable management to hold each cable horizontally, and use cable tie to fix the cable.



■ View from of front.

