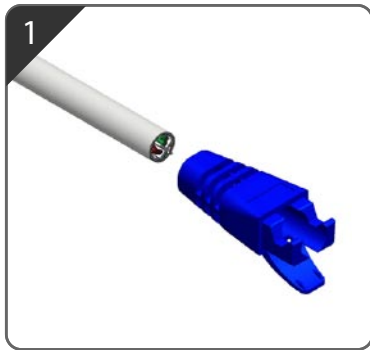
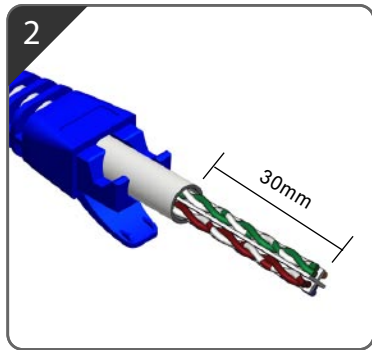


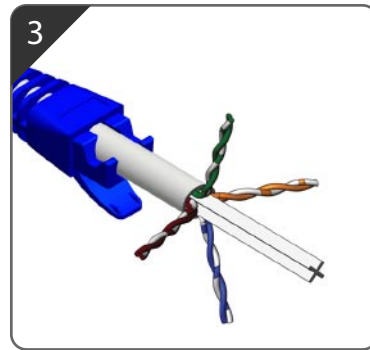
# UTP Plug Termination Instruction



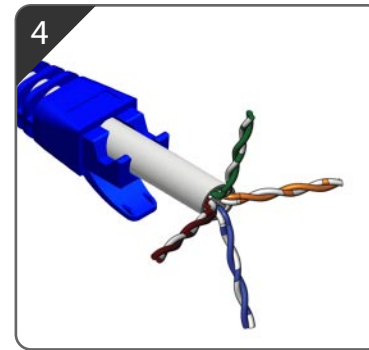
■ Install the boot first.



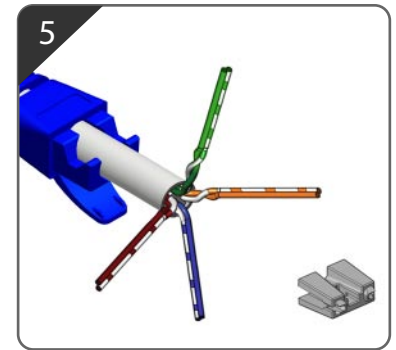
■ Strip 30mm of cable jacket.



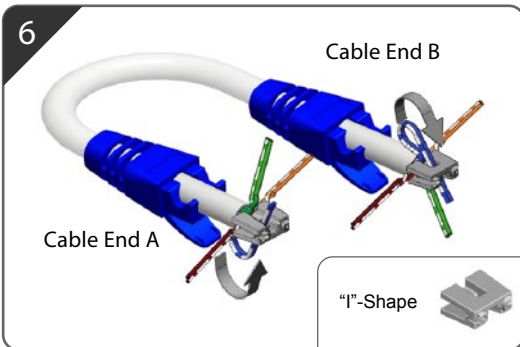
■ Separate 4 pairs.



■ Cut wires separator to the root.

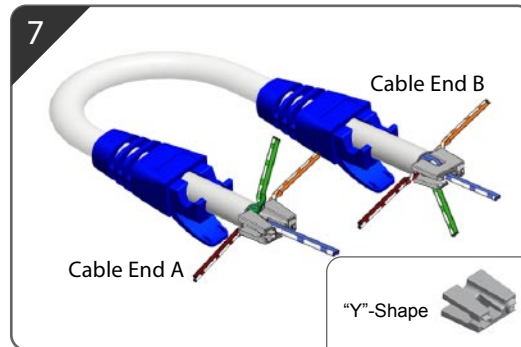


■ Untwist 4 pairs.

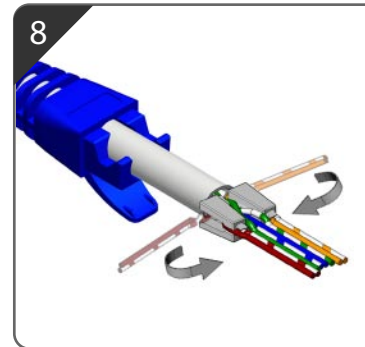


■ Insert blue-pair 4&5 to "I"-shape organizer tunnel.

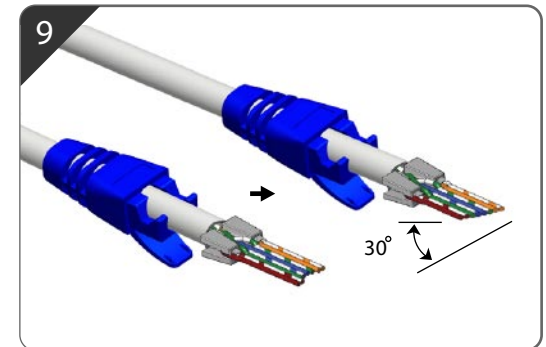
- Note: 1. If blue-pair 4&5 be parallel, insert to organizer directly.  
 2. If blue-pair 4&5 be cross, twist with force insert parallel to organizer.  
 3. Organizer top-bottom direction is opposite in both ends.



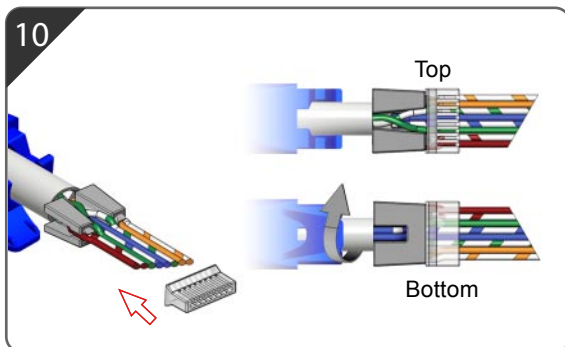
■ lay green-pair 3&6 direction to "Y"-shape organizer slot, twist green wires at least 1/2 to 1 turn.



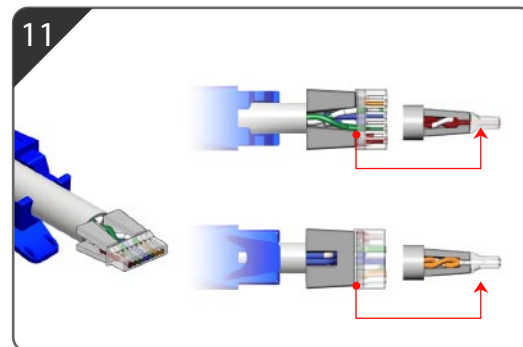
■ Insert pair 1&2, 7&8 at least 1/2 to 1 turn inside the organizer slots.



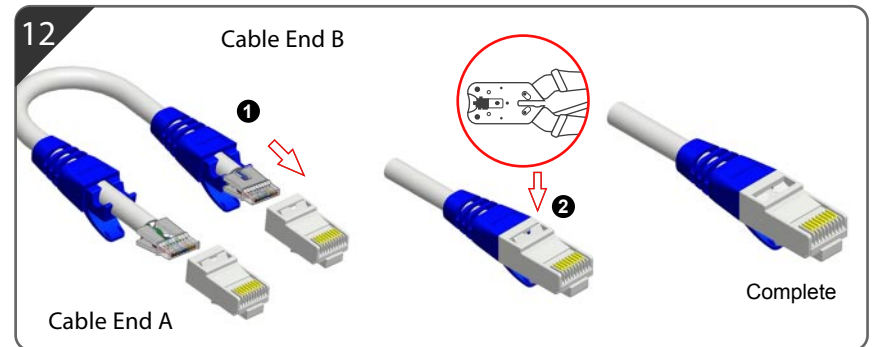
■ Comb the wires and cut from top in 30 degree.



■ Thread loadbar.



■ Note2: Pair 3&6, 1&2, 7&8 must be twisted at least 1/2 -1 turn pair 4-5 must be parallel.



■ Note3: Wired-organizers has two directions for both ends.

■ Fasten boot into plug first then crimp and terminate the wires.